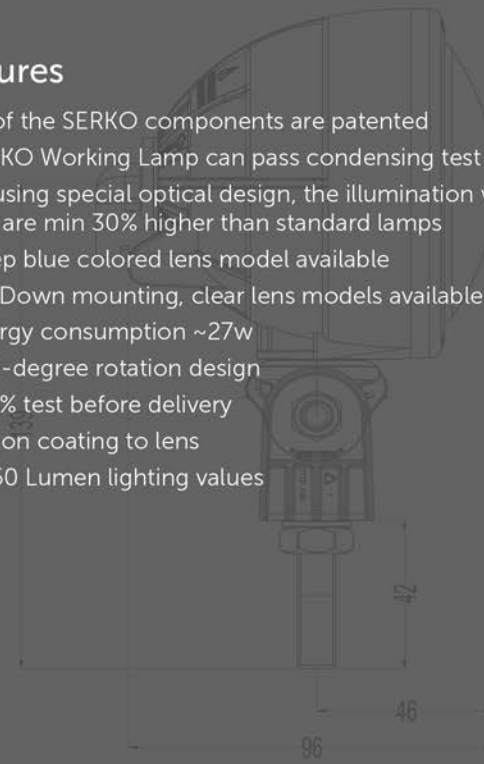


CR 100 WORKING LAMP

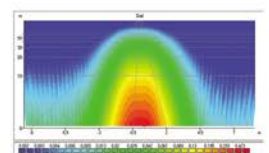
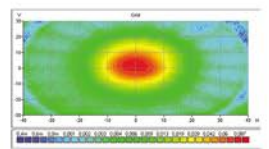
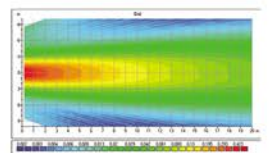
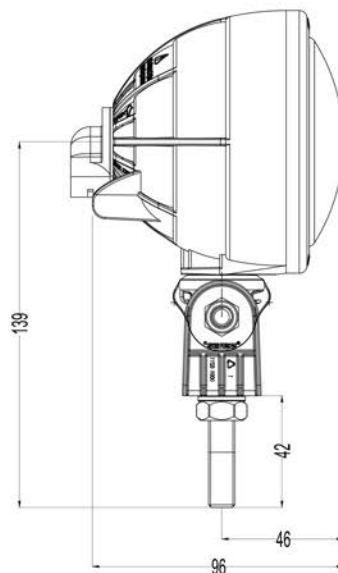
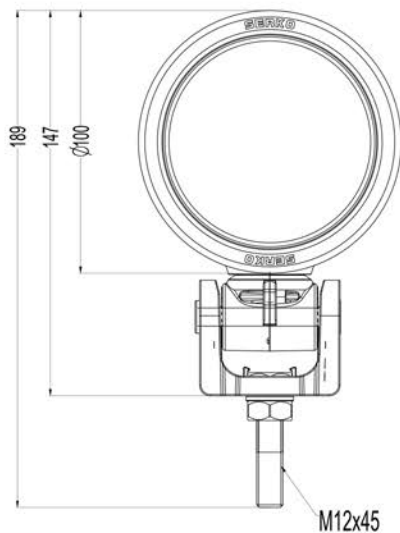


Features

- All of the SERKO components are patented
- SERKO Working Lamp can pass condensing test
- By using special optical design, the illumination values are min 30% higher than standard lamps
- Deep blue colored lens model available
- Up/Down mounting, clear lens models available
- Energy consumption ~27w
- 360-degree rotation design
- 100% test before delivery
- Silicon coating to lens
- ~ 150 Lumen lighting values



PARTS	PARTS NAME	PARTS NO
	CR100 WORKING LAMP CLEAR LENS	0001.3702.XXX
	CR100 WORKING LAMP CLEAR LENS SS	0001.3702.XXX



BULB
12 V 27 W 0001.2085.000